

Operator: Save these instructions for future use!

FAILURE TO READ AND FOLLOW ALL INSTRUCTIONS CAREFULLY BEFORE INSTALLING OR OPERATING THIS CONTROL COULD CAUSE PERSONAL INJURY AND/OR PROPERTY DAMAGE.

DESCRIPTION

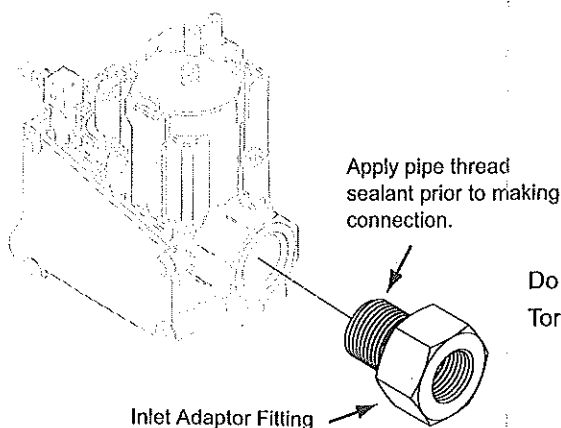
This accessory kit is for use when replacing a White-Rodgers 36E Series or 36F Series gas valve with a 36G Series "Gemini" Gas Valve.

This kit contains an inlet adaptor fitting to extend the overall length of the Gemini gas valve to more closely match the length of the larger 36E or 36F valves. This will allow the originally installed supply piping to be used in most cases.

The kit also includes a pair of lead extensions to provide added length to the gas valve leads in the original wiring harness. These lead extensions may not always be required.

INSTALLATIONS

1. Refer to the instructions provided with the replacement gas valve for gas valve removal and replacement.
2. Before reconnecting supply piping to gas valve inlet, ensure that drip leg is present. If not, then one must be added, and inlet adapter fitting may not be required. If a proper drip leg is present on existing installation, then prepare inlet adapter for installation in gas valve by applying pipe dope to the external pipe threads (avoid applying to first 2 threads).
3. Install inlet adapter fitting hand-tight into gas valve inlet. Secure gas valve by placing wrench on inlet boss flats, then tighten inlet adapter fitting (recommended torque: 25-35 ft-lbs.)
4. Clean threads of inlet supply pipe (as needed) and apply pipe thread sealant as in item #2. Install hand-tight into inlet adapter fitting. Secure gas valve/fitting by placing wrench on adapter fitting wrench flats, then tighten supply pipe (recommended torque: 25-35 ft-lbs, then rotate into position. Do not exceed 1 full turn beyond 35 ft-lbs install torque).
5. Install extension leads provided on gas valve to facilitate connection to wiring harness (if needed).
6. Refer to instructions provided with the replacement gas valve to complete the installation. Always check for leaks (using soap solution or electronic detection device) at all pipe connections and at pressure test connections before placing in service.



NOTE

Do NOT apply sealant to first two threads.
Torque to 25 - 35 ft-lbs.